



SERVICE MANUAL 2-30DS Global

VERSION 3.1

**EC DECLARATION OF CONFORMITY**

in accordance with Appendix II sub A of Directive 2006/42/EC

BLASTRAC B.V.

Utrechthaven 12
NL - 3433 PN NIEUWEGEIN
Tel: 0031 (0)30 601 88 66
Fax: 0031 (0)30 601 83 33
Info@Blastrac.nl
The Netherlands

Declare under our sole responsibility that the machine as described below conforms with the Health and Safety requirements of the European Directive of the machine Safety.

In case of changes to the machine without our written authorization this declaration loses its validity.

Model: **BLASTRAC 2-30DS Global** **Serial number:**

1. satisfies the conditions set out in the Machine Directive (Directive 2006/42/EC); Low voltage directive (2006/95/EC, as last amended; EMC directive 2004/108/EC, as last amended)
2. satisfies the following harmonized standards:
NEN-EN 349, NEN-EN 418, NEN-EN 294 and NEN-EN 60204

Nieuwegein


Michiel Kallsvaart





Index

1. Spare parts	04
2. Maintenance box	12
Contact	13



1. Spare parts

Fig. 01

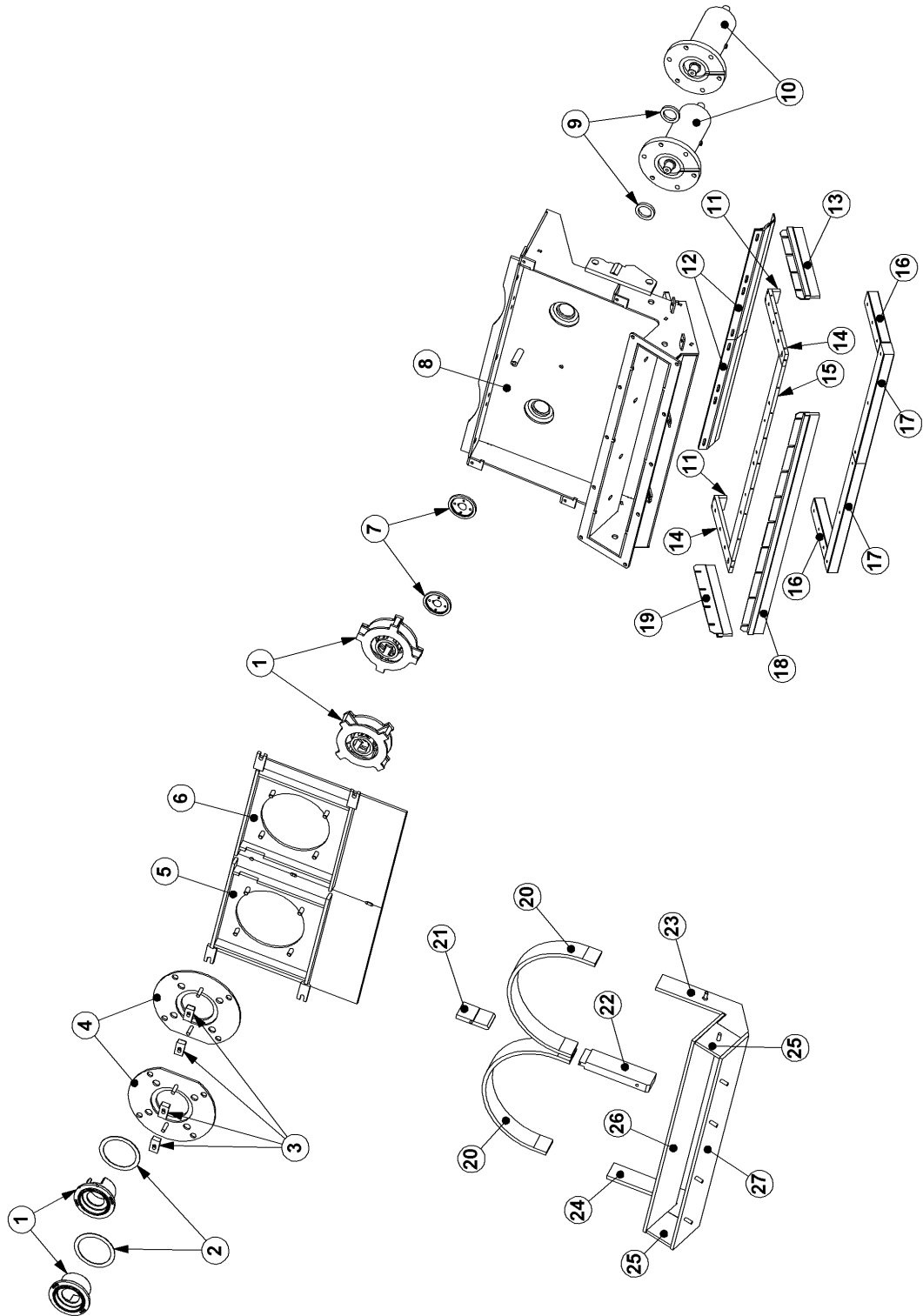


Fig. 01

Item	Part number	Description	Qty.
1	B20536K	Tune up kit	2
2	972781	Control cage shim	2
3	969803	Control cage clamp	4
4	979644	Blastwheel cover plate	2
5	B22009	Front plate LH	1
6	B22010	Front plate RH	1
7	B20397	Hub	2
8	E07038	Blast housing	1
8+5+6	E08757	Blast housing incl. front plates	1
9	B20295	Felt seal Ø60x8	2
10	E00842	Bearing unit complete	2
11	481350	Spacer side magnet rear	2
12	E07577	Skid seal UNI	2
13	E00457	Side brush RH	1
14	489945	Insulator side	2
15	B20806	Insulator front	1
16	490047	Magnet side	2
17	B20804	Magnet front	2
18	B20816	Front brush	1
19	E00458	Side brush LH	1
20	B20907	Top liner	2
21	B21068-2	Center liner top part	1
22	B21068-1	Center liner bottom part	1
23	B20395	Side liner right hand	1
24	B20394	Side liner left hand	1
25	970153	Plenum bottom side liner	2
26	B20815	Plenum liner top	1
27	B20814	Plenum liner bottom	1

Fig. 02

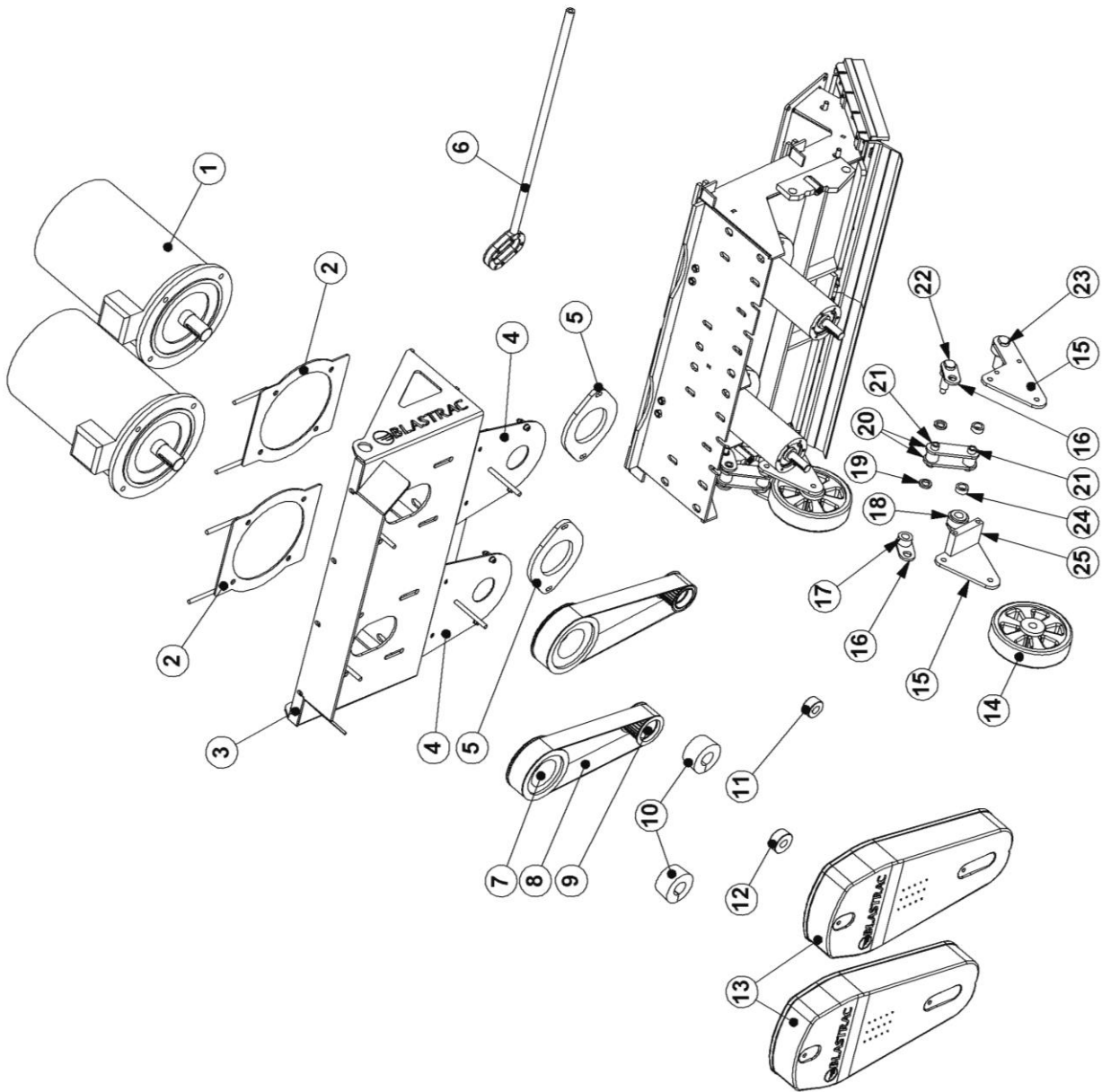


Fig. 02

Item	Part number	Description	Remarks	Qty.
1	E06511-IE2	Blastmotor 15 kW		2
2	E06513	Fill up plate blastmotor		2
3	E07015	Motor bracket		1
4	E07037	Back plate		2
5	E06940	Dust plate		2
6	B21917	Lever		1
7	B20429-1	Pulley	50Hz	2
	B21340	Pulley	60Hz	2
8	B20428	Belt	50Hz	2
	E04009	Belt	60Hz	2
9	B20430-1	Pulley	50Hz	2
	B21341	Pulley	60Hz	2
10	E00425	Taperlock	50/60Hz	2
11	222-2172-V	Taper lock	50Hz	2
12	B21342	Taper lock	60Hz	2
13	B20224	Belt guard		2
14	B20842	wheel		2
15	E06465	Wheel bracket side plate		4
16	E06467	Top lever		4
17	E06474	Lever bush top		4
18	E06472	Wheel bracket bush		4
19	E06855	Lever bush middle		4
20	E06466	Bottom lever		4
21	E06471	Lever shaft		4
22	E06469	Top bolt		2
23	E06468	Bottom bolt		2
24	E06473	Lever bush bottom		4
25	E06475	Distance plate		2

Fig. 03

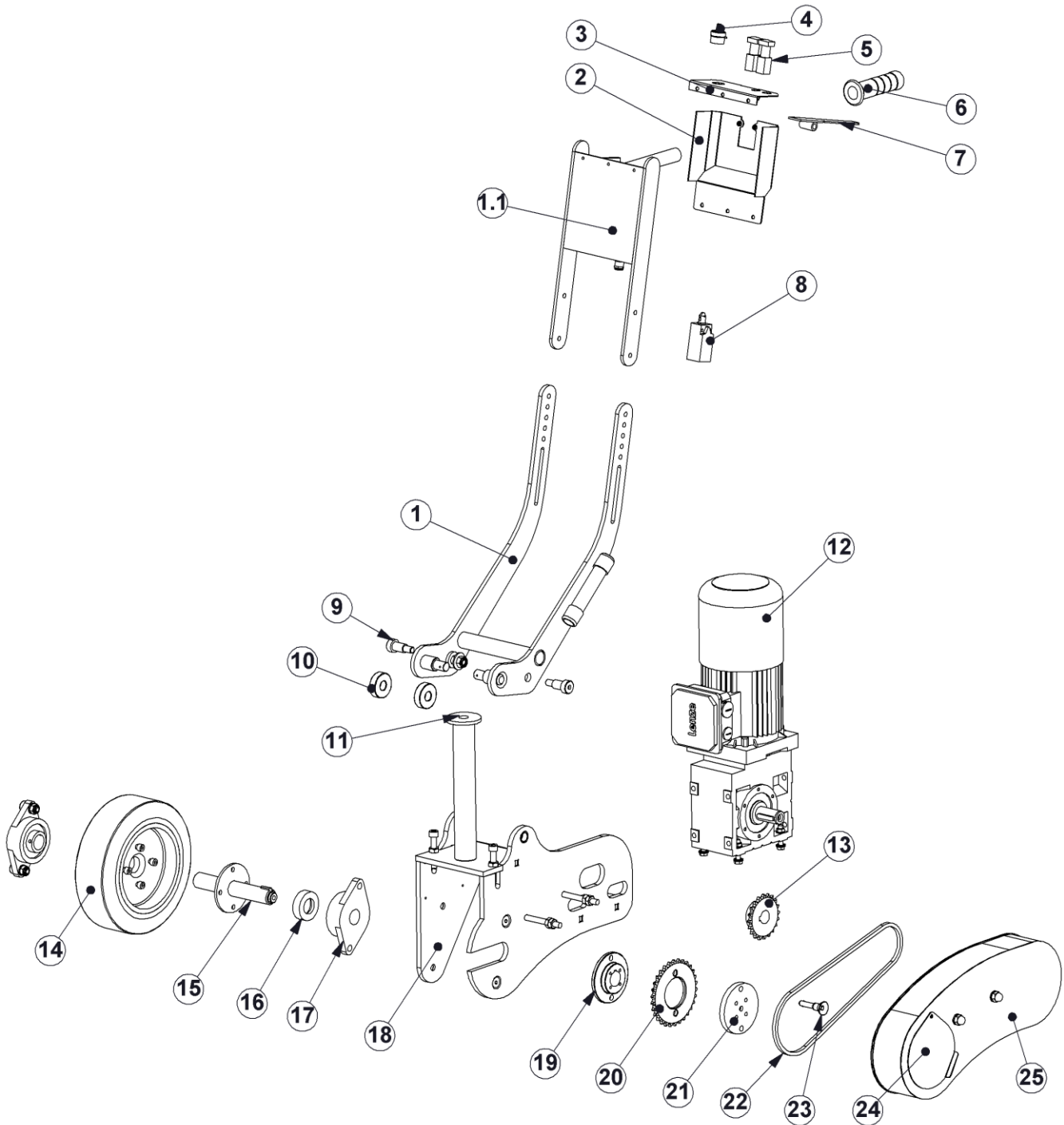


Fig. 03

Item	Part number	Description	Remarks	Qty.
1	E10579	Handle lower part		1
1.1	E06143	Handle top part		1
2	E00740	Control box		1
3	E00741	Control box top plate		1
4	E00866	Potention meter complete (consists out of item 4.1 & 4.2)		1
4.1	E00866/1	Potmeter only with soldered contact block		1
4.2	E00866/2	Potmeter holder		1
5	E00867	Switch		2
6	453290	Handle grip		1
7	E00743	Switch lever		1
8	454796	Limit switch		1
9	E00738	Handle pin		2
10	B20517	Bearing		2
11	971860	Washer for yoke shaft		1
12	E00664-1	Drive motor 1,1 kW		1
	E00664/1	Brake complete for drive motor		
	E00646/2	Fan cover complete for drive motor		
	E00664/2	Cooling fan for drive motor		
13	E00641	Sprocket		1
14	476405-1	Traction wheel		1
15	E00742	Drive wheel shaft		1
16	E07293	Distance bush drive wheel		1
17	009324	Bearing drive wheel		2
18	E00739	Drive wheel bracket		1
19	488551	Hub		1
20	477631	Idler sprocket		1
21	477630	Sprocket retainer		1
22	E00237	Chain		0.9m
22.1	E00238	Chain link		1
23	478198	Quick release pin		1
24	979971	Cover plate chain guard		1
25	E00744	Chain guard		1

Fig. 04

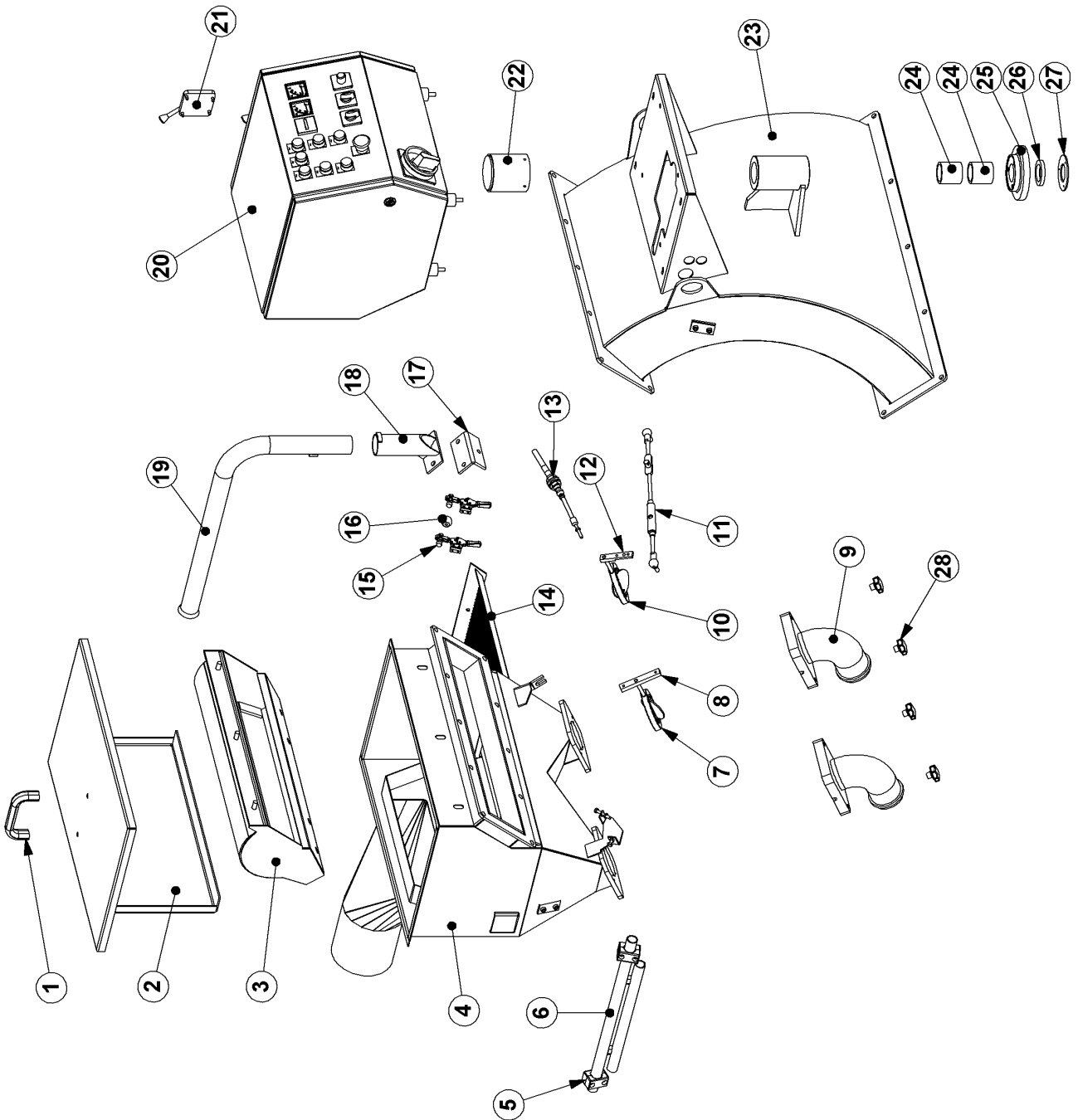


Fig. 04

Item	Part number	Description	Qty.
1	970385	Handle	1
2	B20793	Separator cover	1
3	B20821	Deflector	1
4	B20819	Separator	1
5	DG39	Pipe clamp Ø25	2
6	E00914	Cable tube	1
7	B21295	Magnetic valve assembly	1
8	B21326	Lever magnetic valve long	1
9	970192	Feed spout	2
10	B21295R	Magnetic valve assembly	1
11	B20862	Turnbuckle	1
12	B21296	Lever magnetic valve	1
13	B20520	Control cable	1
14	B20820	Separator tray	1
15	001084	Clamp for separator tray	2
16	B21325	Ball head for separator	1
17	B21384	Cable pillar bracket	1
18	B20426	Cable guide support	1
19	B20425	Cable guide	1
20	E00124-1	Elektro box 2-30	1
21	B20519	Cable control unit	1
22	B20515	Shaft cover	1
23	B20818	Rebound plenum	1
24	971341	Oilite bush	2
25	B20511	Lifting plate	1
26	B20295	Felt seal	1
27	B20512	Seal retainer	1
28	000213	Clamp knob M8	4



2. Maintenance box complete 000153 2-30DS 50Hz

Item	Part number	Description	Qty.
1	001071	Metal box	1
2	B20394	Side liner LH	1
3	B20395	Side liner RH	1
4	B21068	Center liner	1
5	B20907	Top liner	2
6	B20536K	Tune up kit	6
7	B20520	Control cable	1
8	E07577	Skid seal UNI	2
9	E00457	Side strip brush RH	1
10	E00458	Side strip brush LH	1
11	B20816	Front strip brush	1
12	B20428	HTD belt	2
13	001017	Open-end spanner 10 x 11	1
14	001018	Open-end spanner 13 x 15	1
15	001019	Open-end spanner 17 x 19	1
16	B21334	Open-end spanner 24 x 30	1
17	000114	Ratchet spanner 1/2"	1
18	000146	Box spanner 13	1
19	000147	Box spanner 17	1
20	000148	Box spanner 19	1
21	B21335	Box spanner 30	1
22	B21336	Extension piece 250mm	1
23	000150	Box spanner SW 8mm 120lg	1
24	001033	Allenkey 3	1
25	001016	Allenkey 6	1
26	001015	Allenkey 8	1
27	001032	Screwdriver 5,5x100	1
28	001035	Insulated screwdriver	1
29	001056	Water pump pliers	1
30	000151	Hammer	1
31	001031	Safety glasses	1



Blastrac
13201 North Santa Fe Avenue
Oklahoma City, OK 73114
800-256-3440
Fax: 866-485-1046
www.blastrac.com

